

REVISIONS			
REV	DESCRIPTION	DATE	APPROVED

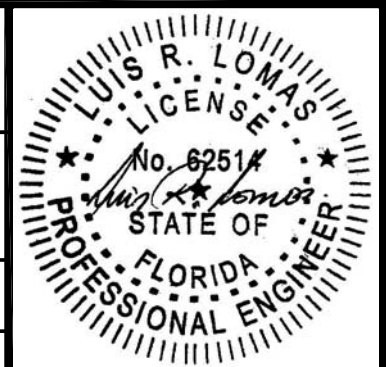
NOTES:

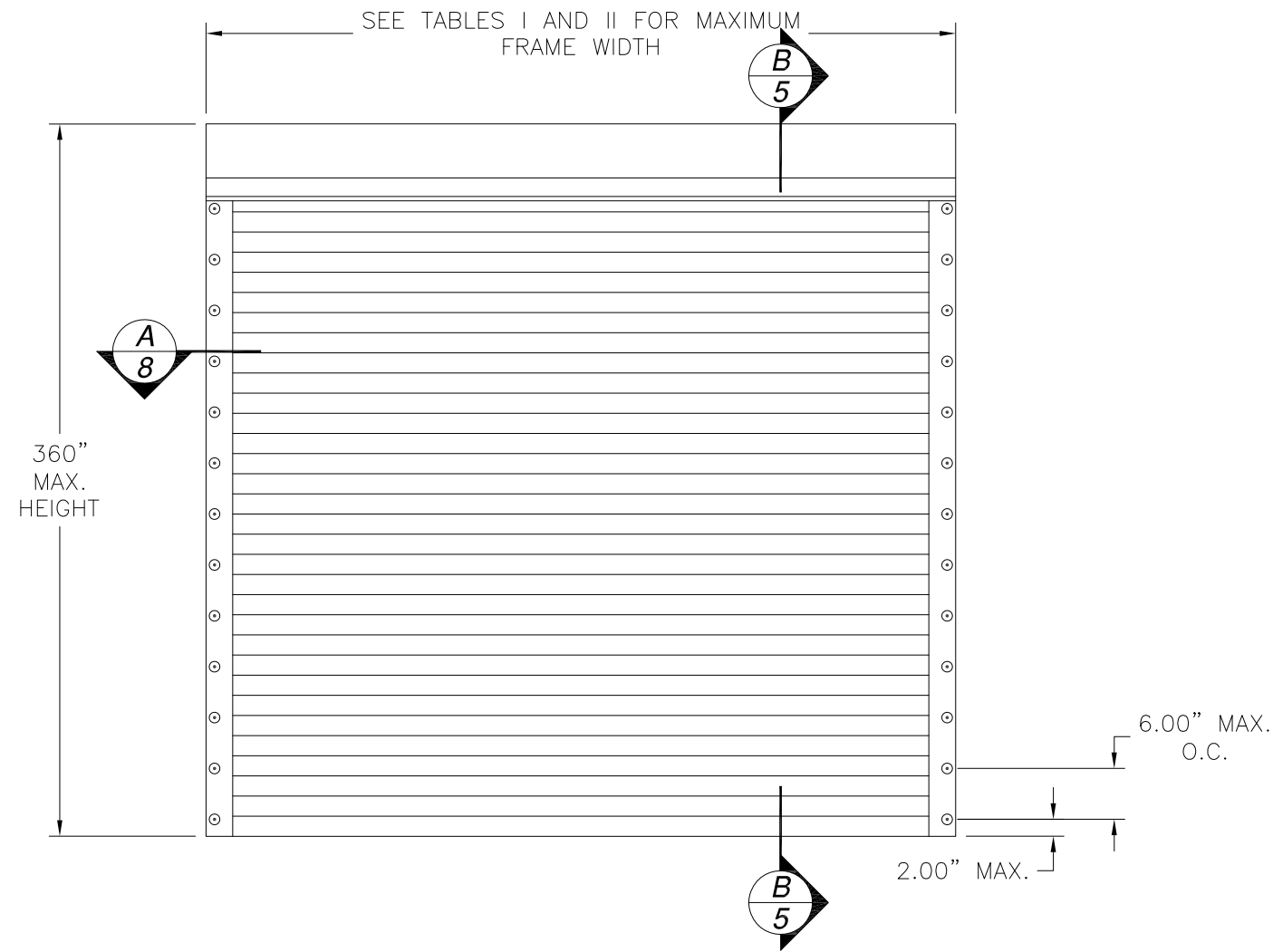
- 1) THE PRODUCT SHOWN HEREIN IS DESIGNED AND MANUFACTURED TO COMPLY WITH REQUIREMENTS OF THE FLORIDA BUILDING CODE INCLUDING THE HVHZ.
- 2) WOOD FRAMING AND MASONRY OPENING TO BE DESIGNED AND ANCHORED TO PROPERLY TRANSFER ALL LOADS TO STRUCTURE. FRAMING AND MASONRY OPENING IS THE RESPONSIBILITY OF THE ARCHITECT OR ENGINEER OF RECORD.
- 3) 1X BUCK OVER MASONRY/CONCRETE IS OPTIONAL. WHERE 1X BUCK IS NOT USED DISSIMILAR MATERIALS MUST BE SEPARATED WITH APPROVED COATING OR MEMBRANE. SELECTION OF COATING OR MEMBRANE IS THE RESPONSIBILITY OF THE ARCHITECT OR ENGINEER OF RECORD.
- 4) ALLOWABLE STRESS INCREASE OF 1/3 WAS NOT USED IN THE DESIGN OF THE PRODUCT SHOWN HEREIN. WIND LOAD DURATION FACTOR Cd=1.6 WAS USED FOR WOOD ANCHOR CALCULATIONS.
- 5) EXTRUSIONS MATERIAL: ALUMINUM 6063-T5
- 6) APPROVED IMPACT PROTECTIVE SYSTEM IS NOT REQUIRED FOR THIS PRODUCT IN WIND BORNE DEBRIS REGIONS.
- 7) FOR ANCHOR TYPE, EMBEDMENT, EDGE DISTANCE AND SPACING REFER TO ANCHOR CHART, SHEET 5.
- 8) ALL FASTENERS TO BE CORROSION RESISTANT.
- 9) INSTALLATION ANCHORS SHALL BE INSTALLED IN ACCORDANCE WITH ANCHOR MANUFACTURER'S INSTALLATION INSTRUCTIONS, AND ANCHORS SHALL NOT BE USED IN SUBSTRATES WITH STRENGTHS LESS THAN THE MINIMUM STRENGTH SPECIFIED BELOW:
 - A. WOOD – MINIMUM SPECIFIC GRAVITY OF G=0.53
 - B. CONCRETE – MINIMUM COMPRESSIVE STRENGTH OF 2,000 PSI.
 - C. MASONRY – STRENGTH CONFORMANCE TO ASTM C-90, GRADE N, TYPE 1 (OR GREATER).
 - D. METAL STRUCTURE: STEEL 18GA, 33KSI OR ALUMINUM 6063-T5 1/8" THICK MINIMUM
- 10) OPERATION OF ROLLUP MECHANISM IS NOT PART OF THIS APPROVAL. CARE SHOULD BE TAKEN WHEN SHUTTER IS IN MOTION ENSURING THAT PERSONAL INJURY OR DAMAGE TO THIS PRODUCT DOES NOT OCCUR.
- 11) SLATS CAN BE INSTALLED WITH EITHER PROFILE FACING THE EXTERIOR.
- 12) HOOD ASSEMBLY IS IMPACT RATED AND CAN BE PLACED INSIDE FRAME OPENING AS AN EXPOSED FEATURE.

SIGNED: 03/06/2012

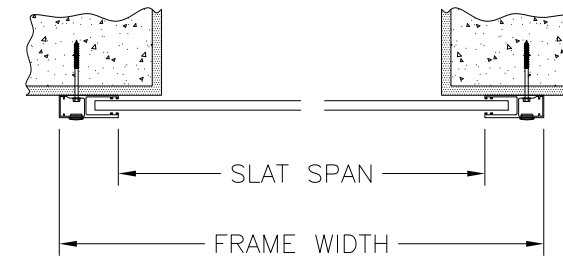
TABLE OF CONTENTS	
SHEET NO.	DESCRIPTION
1	GENERAL NOTES
2 - 4	ELEVATIONS AND CHARTS
5 - 9	INSTALLATION DETAILS
10 - 11	COMPONENTS

USA SHUTTER COMPANY, LLC 1455 RAIL HEAD BLVD UNIT 6 NAPLES, FL 34110		
ALUMINUM ROLL-UP SHUTTER GENERAL NOTES		
DRAWN: R.L.	DWG NO. 08-01379	REV -
SCALE NTS	DATE 11/01	SHEET 1 OF 11





REVISIONS			
REV	DESCRIPTION	DATE	APPROVED



ROLL-UP SHUTTER WITHOUT STORM BARS
EXTERIOR VIEW

NOTES:

- 1) END RETENTION IS REQUIRED IN SHUTTERS OF 88 3/16" FINISHED WIDTH WHEN A DESIGN PRESSURE HIGHER THAN 30PSF IS REQUIRED.
- 2) FOR SHUTTERS OF 88 3/16" UP TO 124" FINISHED WIDTH LOCATE END RETENTION AT SIX TOP AND BOTTOM SLATS AND EVERY OTHER SLAT IN BETWEEN.
- 3) FOR SHUTTERS WIDER THAN 124" FINISHED WIDTH LOCATE END RETENTION IN EVERY SLAT.

TABLE I
Design pressure chart
Units without storm bars and without end retention

Maximum frame width (in)	Slat Span (in)	Slat Deflection (in)	Design Pressure (psf)	Separation from glass (in)
48.00	41.70	1.39	195	2.39
51.00	44.70	1.49	158	2.49
54.00	47.70	1.59	130	2.59
57.00	50.70	1.69	108	2.69
60.00	53.70	1.79	91	2.79
63.00	56.70	1.89	77	2.89
66.00	59.70	1.99	66	2.99
69.00	62.70	2.00	57	3.00
72.00	65.70	2.00	49	3.00
75.00	68.70	2.00	43	3.00
78.00	71.70	2.00	38	3.00
81.00	74.70	2.00	33	3.00
84.00	77.70	2.00	30	3.00
87.00	80.70	2.00	26	3.00
88.38	82.08	2.00	25	3.00

TABLE II
Design pressure chart
Units with end retention and without storm bars

Maximum frame width (in)	Slat Span (in)	Slat Deflection (in)	Design Pressure (psf)	Separation from glass (in)
87.00	80.70	2.00	118	3.00
90.00	83.70	2.00	106	3.00
93.00	86.70	2.00	95	3.00
96.00	89.70	2.00	86	3.00
99.00	92.70	2.00	78	3.00
102.00	95.70	2.00	71	3.00
105.00	98.70	2.00	64	3.00
108.00	101.70	2.00	59	3.00
111.00	104.70	2.00	54	3.00
114.00	107.70	2.00	49	3.00
117.00	110.70	2.00	45	3.00
120.00	113.70	2.00	42	3.00
123.00	116.70	2.00	39	3.00

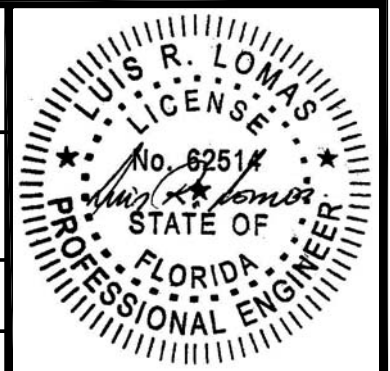
LARGE MISSILE IMPACT, LEVEL D, WIND ZONE 4 AND HVHZ

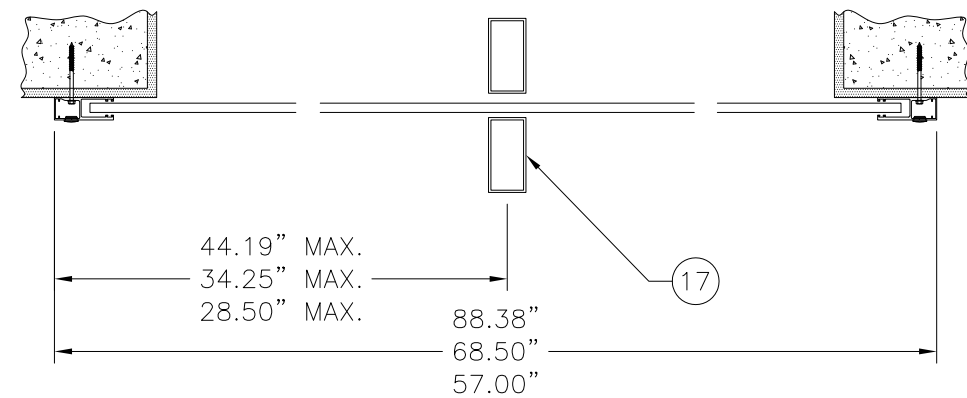
LARGE MISSILE IMPACT, LEVEL D, WIND ZONE 4 AND HVHZ

USA SHUTTER COMPANY, LLC
1455 RAIL HEAD BLVD UNIT 6
NAPLES, FL 34110

ALUMINUM ROLL-UP SHUTTER
SHUTTER WITH AND WITHOUT END RETENTION

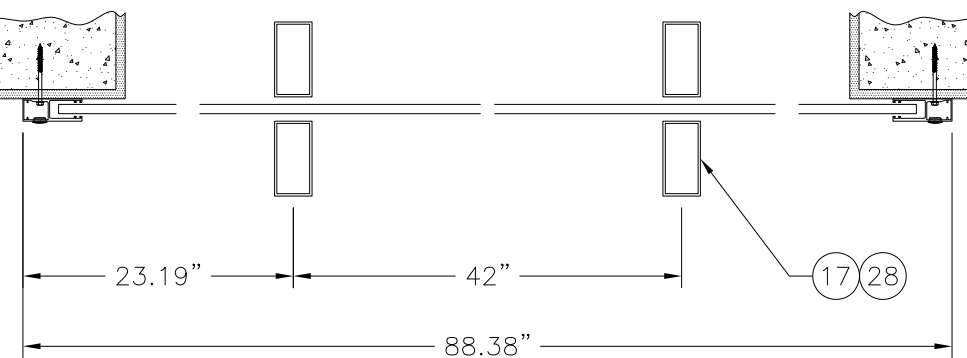
DRAWN: R.L.	DWG NO. 08-01379	REV -
SCALE NTS	DATE 11/01	SHEET 2 OF 11





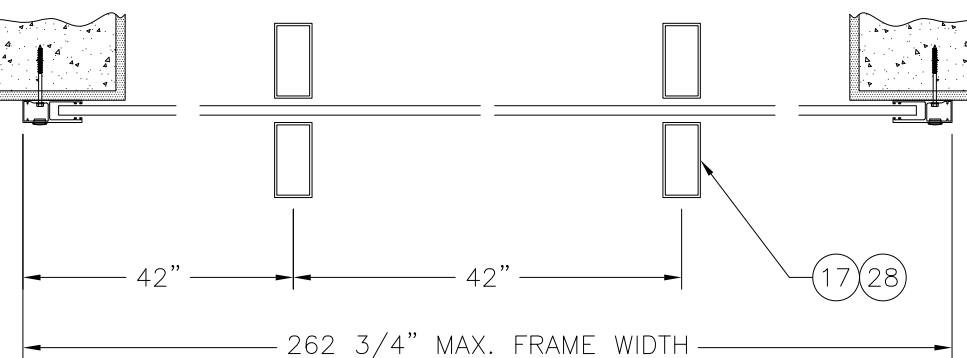
STORM BAR LOCATION

FOR 88.38", 68.50" AND 57.00" WIDE UNITS WITH ONE STORM BAR



STORM BAR LOCATION

FOR 88.38" WIDE UNITS WITH TWO STORM BARS



STORM BAR LOCATION

FOR UNITS WIDER THAN 88 3/8"

TABLE III
Design pressure chart
Units with one 2x4x 1/8" storm bar

Storm bar height (in)	Storm bar spacing		
	28.5	34.3	44.2
48.0	-	120.0	120.0
54.0	-	120.0	120.0
60.0	-	120.0	107.7
66.0	-	116.5	89.0
72.0	119.3	97.9	74.8
78.0	101.6	83.4	63.7
84.0	87.6	71.9	54.9

LARGE MISSILE IMPACT, LEVEL D, WIND ZONE 4 AND HVHZ

TABLE IV
Design pressure chart (psf)
Units with two 2x4x1/8" storm bars

Storm bar height (in)	Storm bar spacing (in)
	42.0
54.0	120.0
60.0	120.0
66.0	120.0
72.0	105.1
78.0	89.6
84.0	77.2

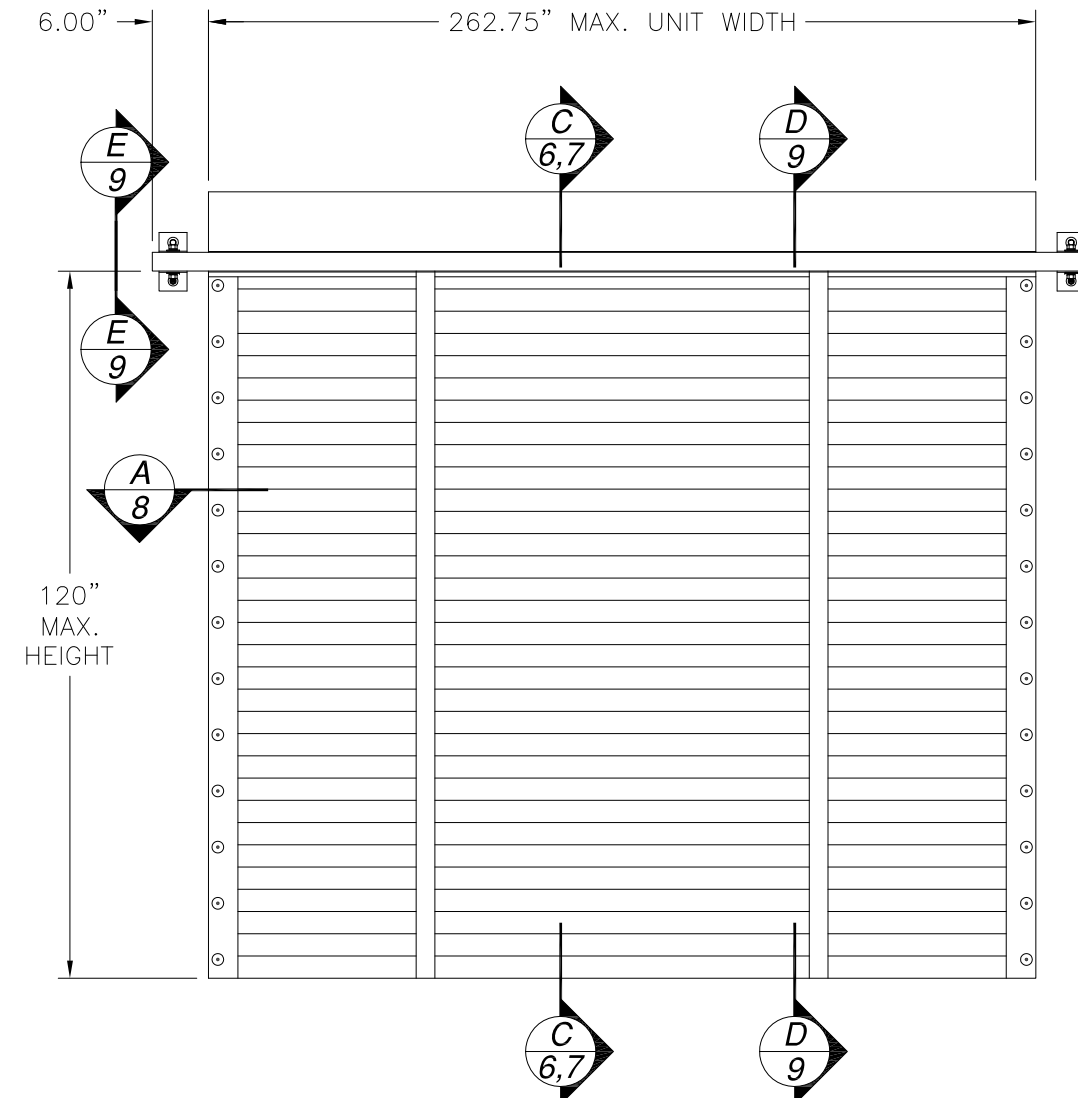
FOR UNITS 88 3/8" MAXIMUM WIDTH
LARGE MISSILE IMPACT, LEVEL D,
WIND ZONE 4 AND HVHZ

TABLE V
Design pressure chart (psf)
2x4x1/8" Storm bar spaced at 42"

Storm bar Height (in)	2x4x1/8" Storm Bar	2x6x1/8" Storm Bar
48.0	120.0	120.0
54.0	120.0	120.0
60.0	107.8	120.0
66.0	89.1	120.0
72.0	74.9	120.0
78.0	63.8	118.1
84.0	55.0	101.9
90.0	47.9	88.7
96.0	42.1	78.0
102.0	37.3	69.1
108.0	33.3	61.6
114.0	29.9	55.3
120.0	27.0	49.9

FOR UNITS WIDER THAN 88 3/8"
LARGE MISSILE IMPACT, LEVEL D, WIND
ZONE 4 AND HVHZ

REVISIONS			
REV	DESCRIPTION	DATE	APPROVED

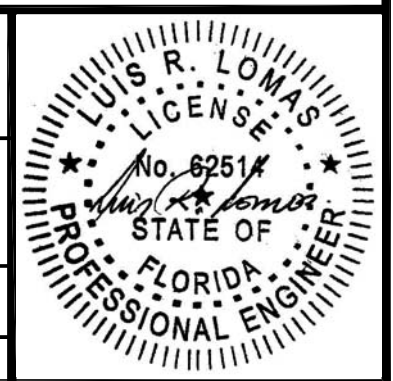


ROLL-UP SHUTTER WITH STORM BARS
EXTERIOR VIEW

USA SHUTTER COMPANY, LLC
1455 RAIL HEAD BLVD UNIT 6
NAPLES, FL 34110

ALUMINUM ROLL-UP
SHUTTER
SHUTTER WITH STORM BARS

DRAWN: R.L.	DWG NO. 08-01379	REV -
SCALE NTS	DATE 11/01	SHEET 3 OF 11



REVISIONS			
REV	DESCRIPTION	DATE	APPROVED

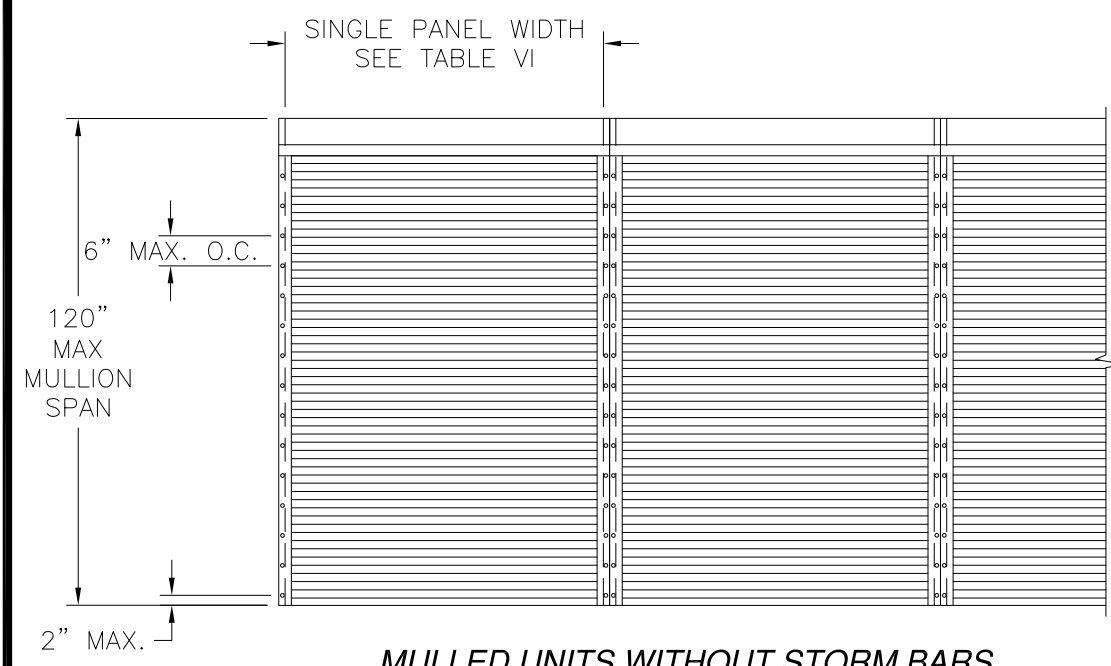


TABLE VI
Design pressure chart (psf)
Mulled Units w/ 2x6x1/8" mull

Mullion span (in)	Maximum single panel width (in)									
	24.00	30.00	36.00	42.00	48.00	54.00	60.00	66.00	72.00	
60.00	150.0	150.0	150.0	150.0	150.0	150.0	139.8	127.1	116.5	
66.00	150.0	150.0	150.0	150.0	142.9	128.4	115.6	105.1	96.3	
72.00	150.0	150.0	148.1	134.5	121.4	107.9	97.1	88.3	80.9	
78.00	150.0	150.0	133.3	118.2	103.4	91.9	82.7	75.2	69.0	
84.00	150.0	139.1	118.9	101.9	89.2	79.3	71.3	64.9	59.5	
90.00	150.0	124.3	103.6	88.8	77.7	69.1	62.2	56.5	51.8	
96.00	136.6	109.3	91.0	78.0	68.3	60.7	54.6	49.7	45.5	
102.00	121.0	96.8	80.6	69.1	60.5	53.8	48.4	44.0	40.3	
108.00	107.9	86.3	71.9	61.7	54.0	48.0	43.2	39.2	36.0	
114.00	96.8	77.5	64.6	55.3	48.4	43.0	38.7	35.2	32.3	
120.00	87.4	69.9	58.3	49.9	43.7	38.8	35.0	31.8	29.1	

TABLE VIII
Design pressure chart (psf)
Mulled Units w/ 2x6x1/4" mull

Mullion span (in)	Maximum single panel width (in)									
	24.00	30.00	36.00	42.00	48.00	54.00	60.00	66.00	72.00	
60.00	150.0	150.0	150.0	150.0	150.0	150.0	150.0	150.0	150.0	
66.00	150.0	150.0	150.0	150.0	142.9	136.8	133.3	132.2	132.2	
72.00	150.0	150.0	148.1	134.5	125.0	118.5	114.3	111.9	111.1	
78.00	150.0	150.0	133.3	120.3	111.1	104.6	100.0	97.0	95.2	
84.00	150.0	139.1	121.2	108.8	100.0	93.6	88.9	85.6	83.3	
90.00	150.0	128.0	111.1	99.4	90.9	84.7	80.0	76.6	74.1	
96.00	142.9	118.5	102.6	91.4	83.3	77.3	72.7	69.3	66.7	
102.00	133.3	110.3	95.2	84.7	76.9	71.1	66.7	63.2	60.6	
108.00	125.0	103.2	88.9	78.8	71.4	65.8	61.5	58.2	55.6	
114.00	117.6	97.0	83.3	73.7	66.7	61.3	57.1	53.9	51.3	
120.00	111.1	91.4	78.4	69.3	62.5	57.3	53.3	50.2	47.6	

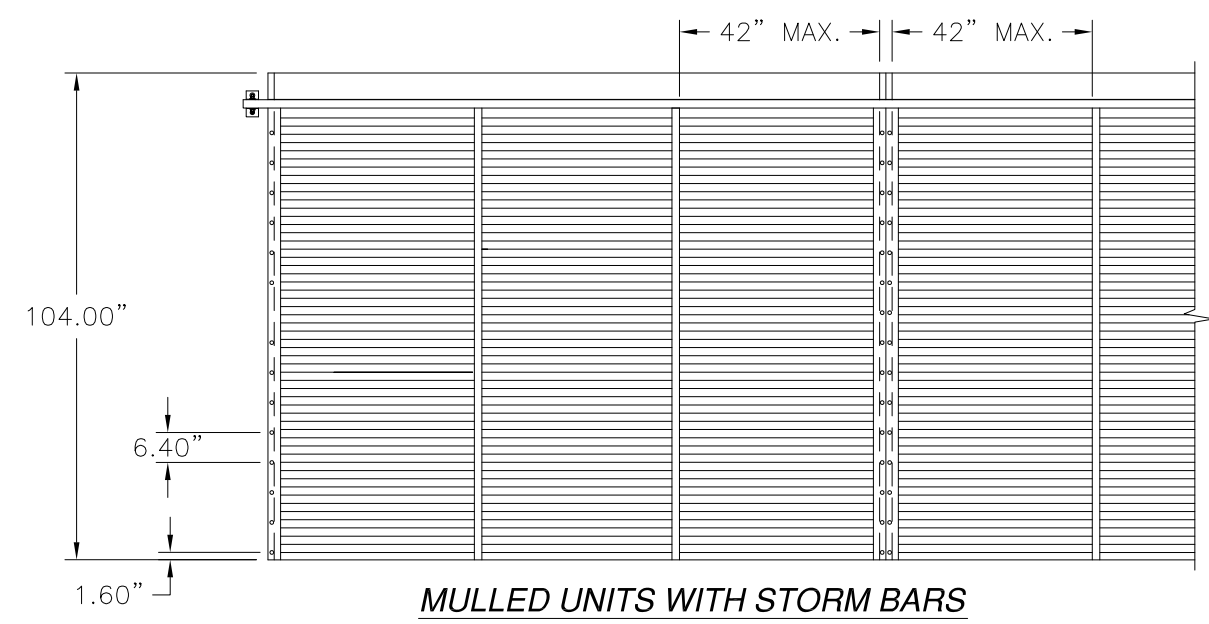
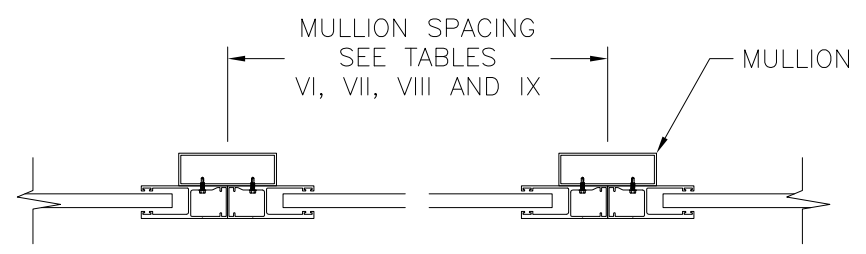


TABLE VII
Design pressure chart (psf)
Mulled Units w/ 2x6x1/8" mull w/ storm bars

Mullion span (in)	Distance from storm bar to mullion			
	24.00	30.00	36.00	42.00
60.00	150.0	150.0	150.0	150.0
66.00	150.0	150.0	150.0	150.0
72.00	150.0	150.0	148.1	134.5
78.00	150.0	150.0	133.3	118.2
84.00	150.0	139.1	118.9	101.9
90.00	150.0	124.3	103.6	88.8
96.00	136.6	109.3	91.0	78.0
102.00	121.0	96.8	80.6	69.1
108.00	107.9	86.3	71.9	61.7
114.00	96.8	77.5	64.6	55.3
120.00	87.4	69.9	58.3	49.9

TABLE IX
Design pressure chart (psf)
Mulled Units w/ 2x6x1/4" mull w/ storm bars

Mullion span (in)	Distance from storm bar to mullion			
	24.00	30.00	36.00	42.00
60.00	150.0	150.0	150.0	150.0
66.00	150.0	150.0	150.0	150.0
72.00	150.0	150.0	148.1	134.5
78.00	150.0	150.0	133.3	120.3
84.00	150.0	139.1	121.2	108.8
90.00	150.0	128.0	111.1	99.4
96.00	142.9	118.5	102.6	91.4
102.00	133.3	110.3	95.2	84.7
108.00	125.0	103.2	88.9	78.8
114.00	117.6	97.0	83.3	73.7
120.00	111.1	91.4	78.4	69.3

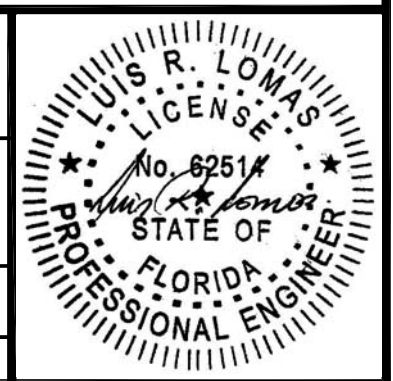


MULLION SPACING DETAIL

USA SHUTTER COMPANY, LLC
1455 RAIL HEAD BLVD UNIT 6
NAPLES, FL 34110

ALUMINUM ROLL-UP
SHUTTER
SHUTTER WITH MULLIONS

DRAWN: R.L.	DWG NO. 08-01379	REV -
SCALE NTS	DATE 11/01	SHEET 4 OF 11



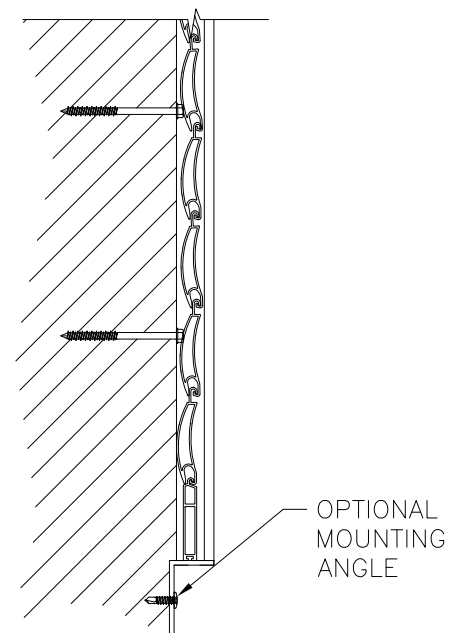
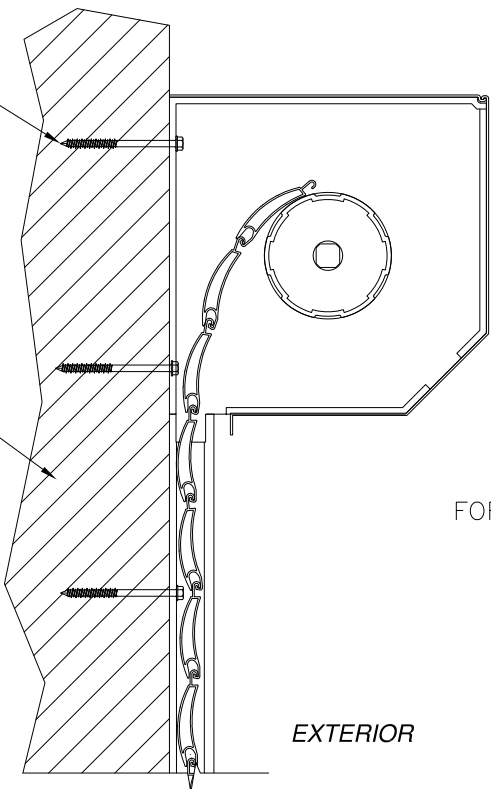
REVISIONS			
REV	DESCRIPTION	DATE	APPROVED

SEE ANCHOR CHART FOR TYPE, EMBEDMENT EDGE DISTANCE AND SPACING

SUBSTRATE BY OTHERS

INTERIOR

EXTERIOR



B
5 WALL MOUNT INSTALLATION
WITHOUT STORM BARS

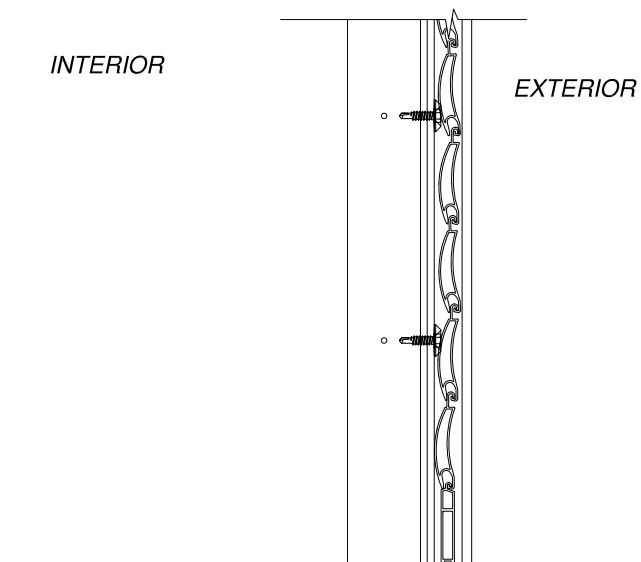
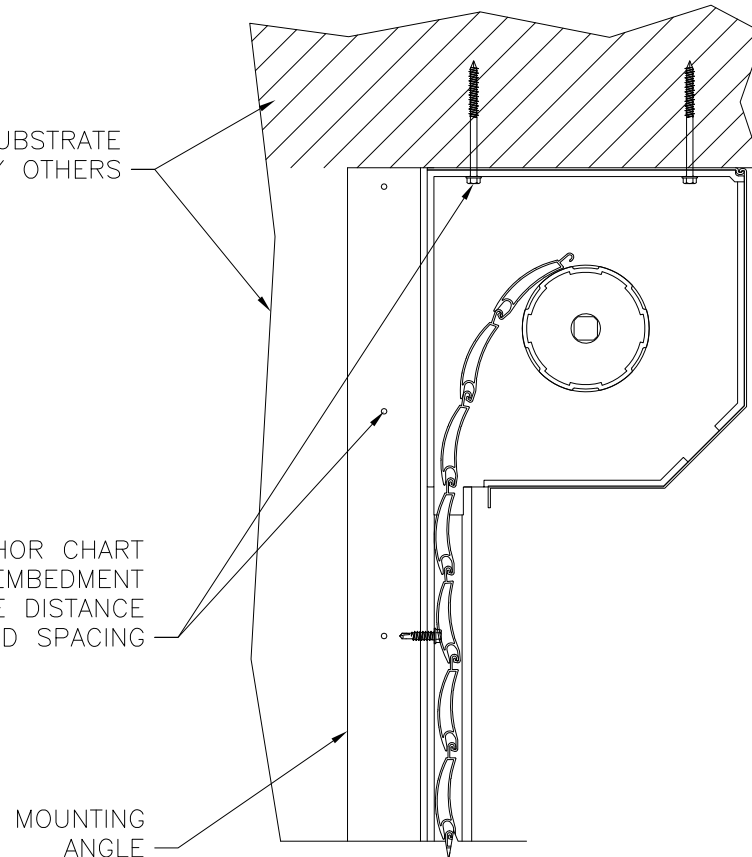
SUBSTRATE BY OTHERS

SEE ANCHOR CHART FOR TYPE, EMBEDMENT EDGE DISTANCE AND SPACING

MOUNTING ANGLE

INTERIOR

EXTERIOR



B
5 INSIDE MOUNT INSTALLATION
WITHOUT STORM BARS

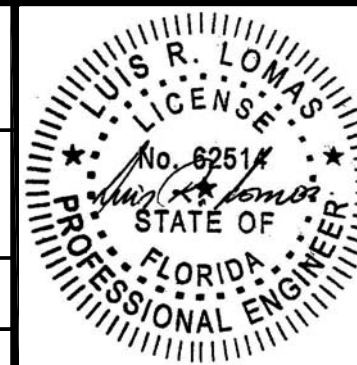
Anchor schedule

Anchor type	Substrate	Minimum embedment (in)	Minimum edge distance	Max. O.C. (in)
1/4" Elco Tapcon	Concrete 3,000 psi min.	1.75	2.50	6.00
1/4" ITW Tapcon		1.75	2.50	6.00
1/4" Elco Crete-Flex		1.75	1.75	6.00
1/4" Panelmate Male		1.75	2.50	6.00
1/4" Panelmate Female		1.75	2.50	6.00
1/4" Sleeve anchor		1.13	1.50	6.00
1/4" Powers Calk-in		0.88	3.00	6.00
1/4" Drop-in bolt		1.00	3.50	6.00
1/4" All points solid set		0.88	3.00	6.00
1/4" ITW Tapcon	Hollow Block	1.25	2.50	6.00
1/4" Elco Crete-Flex		1.25	2.50	6.00
1/4" Panelmate Male		1.25	2.00	6.00
1/4" Panelmate Female		1.25	2.00	6.00
1/4" Sleeve anchor		1.13	1.50	6.00
1/4" All points solid set		0.88	3.00	6.00
1/4" Lag screw	Wood .53 min. specific gravity	2.25	N/A	6.00
#14 Wood screw		2.00	N/A	6.00
1/4" Panelmate Male		0.75	1.88	6.00
1/4" Panelmate Female	0.75	1.88	6.00	
1/4-14 Tek Screw	12GA Steel	N/A	N/A	6.00
1/4-14 Tek Screw	1/8" thick AL	N/A	N/A	6.00

USA SHUTTER COMPANY, LLC
1455 RAIL HEAD BLVD UNIT 6
NAPLES, FL 34110

ALUMINUM ROLL-UP
SHUTTER
INSTALLATION DETAILS

DRAWN: R.L.	DWG NO. 08-01379	REV -
SCALE NTS	DATE 11/01	SHEET 5 OF 11



REVISIONS			
REV	DESCRIPTION	DATE	APPROVED

SEE ANCHOR CHART FOR TYPE, EMBEDMENT EDGE DISTANCE AND SPACING

SUBSTRATE BY OTHERS

SEE ANCHOR CHART FOR TYPE, EMBEDMENT EDGE DISTANCE AND SPACING

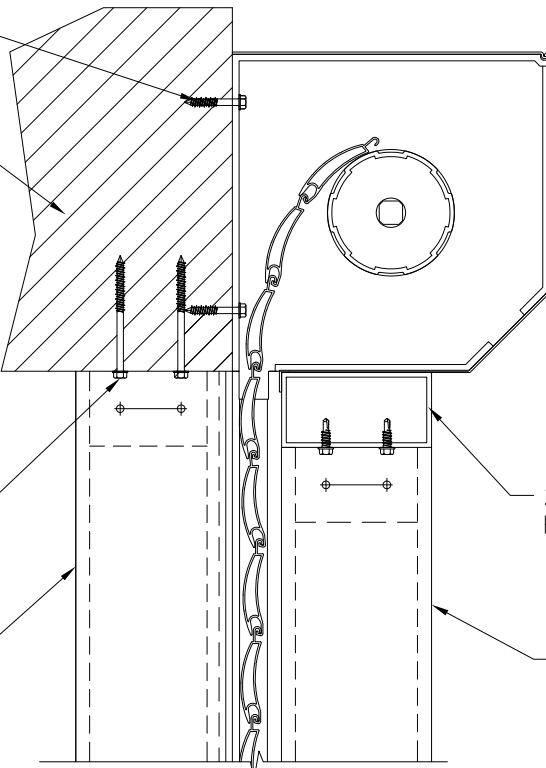
STORM BAR

INTERIOR

EXTERIOR

2X4 HEADER

STORM BAR



C
6 WALL MOUNT INSTALLATION WITH STORM BARS

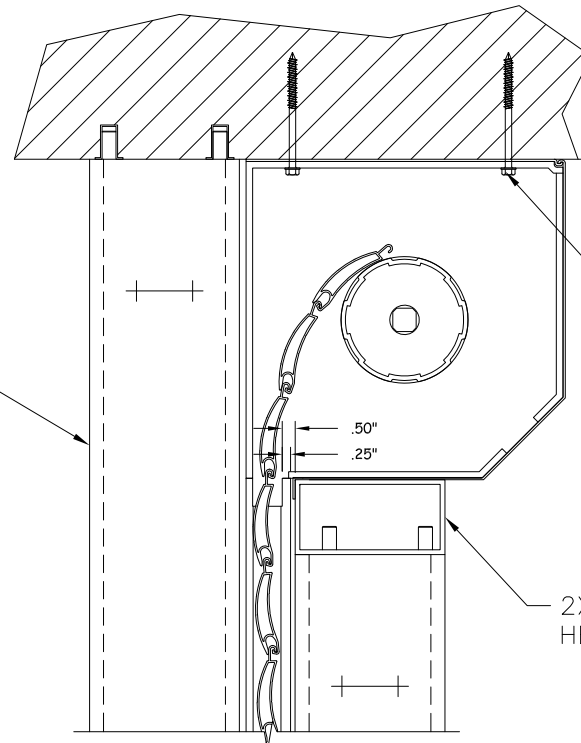
STORM BAR

INTERIOR

EXTERIOR

2X4 HEADER

STORM BAR



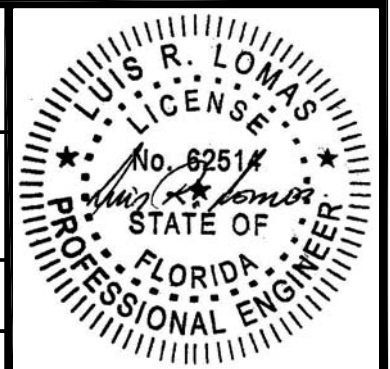
SEE ANCHOR CHART FOR TYPE, EMBEDMENT EDGE DISTANCE AND SPACING

C
6 INSIDE MOUNT INSTALLATION WITH STORM BARS

USA SHUTTER COMPANY, LLC
1455 RAIL HEAD BLVD UNIT 6
NAPLES, FL 34110

ALUMINUM ROLL-UP SHUTTER
INSTALLATION DETAILS W/ STORM BARS

DRAWN: R.L.	DWG NO. 08-01379	REV -
SCALE NTS	DATE 11/01	SHEET 6 OF 11



REVISIONS			
REV	DESCRIPTION	DATE	APPROVED

SEE ANCHOR CHART FOR TYPE, EMBEDMENT EDGE DISTANCE AND SPACING

SUBSTRATE BY OTHERS

SEE ANCHOR CHART FOR TYPE, EMBEDMENT EDGE DISTANCE AND SPACING

STORM BAR

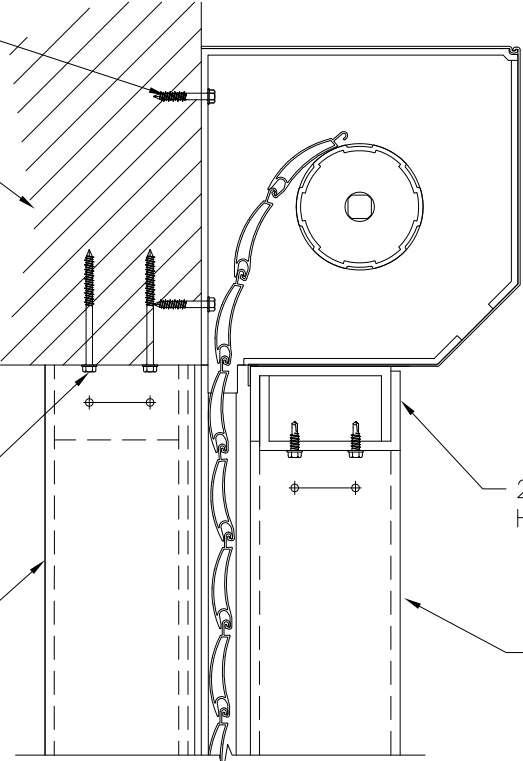
2X6 HEADER

STORM BAR

INTERIOR

EXTERIOR

OPTIONAL MOUNTING ANGLE



C
7 WALL MOUNT INSTALLATION WITH STORM BARS

STORM BAR

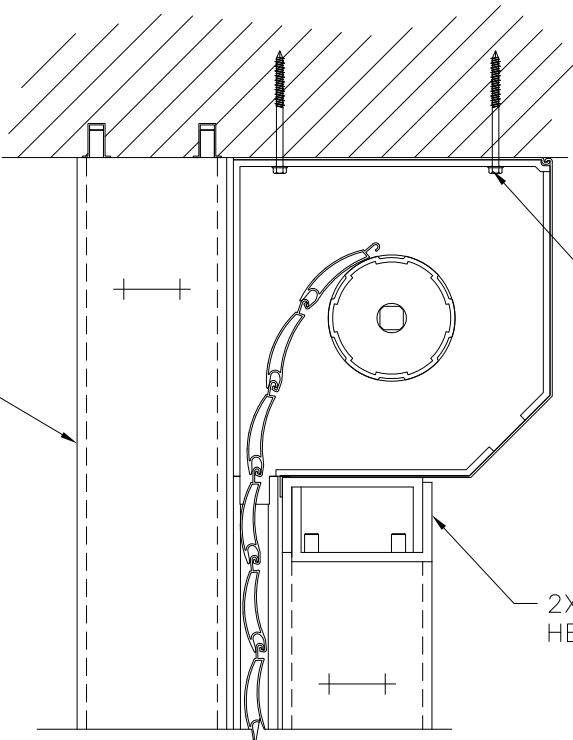
SEE ANCHOR CHART FOR TYPE, EMBEDMENT EDGE DISTANCE AND SPACING

2X6 HEADER

INTERIOR

EXTERIOR

STORM BAR

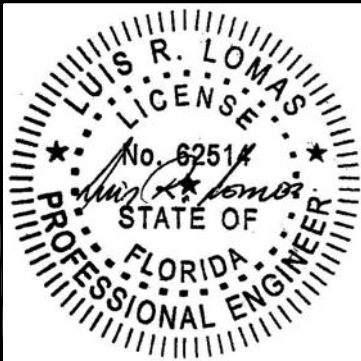


C
7 INSIDE MOUNT INSTALLATION WITH STORM BARS

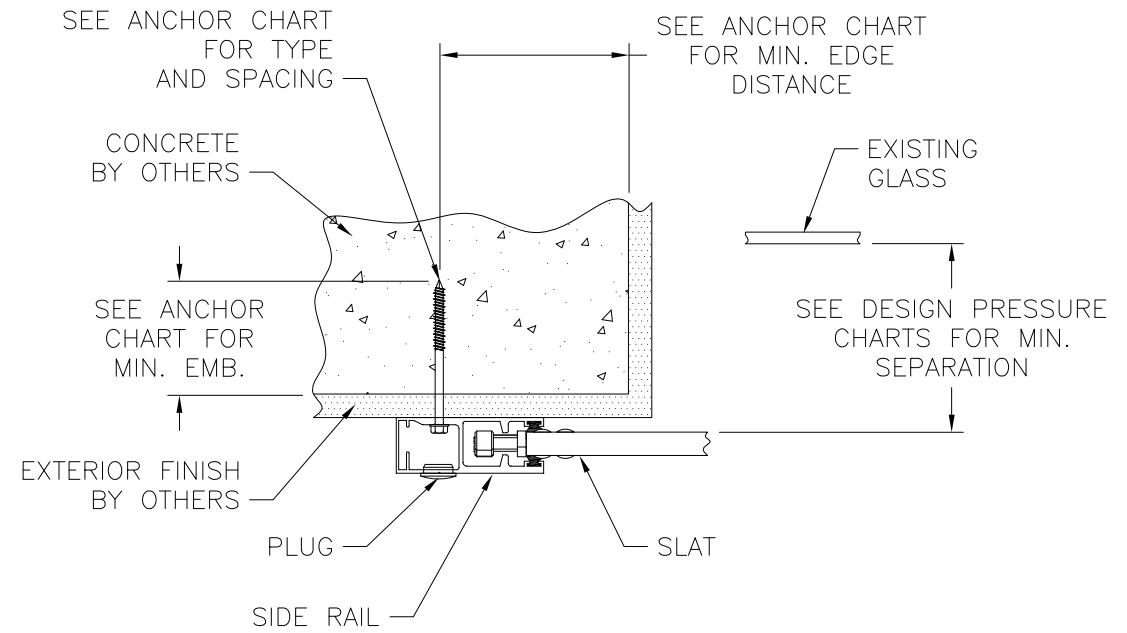
USA SHUTTER COMPANY, LLC
1455 RAIL HEAD BLVD UNIT 6
NAPLES, FL 34110

ALUMINUM ROLL-UP SHUTTER
INSTALLATION DETAILS W/ STORM BARS

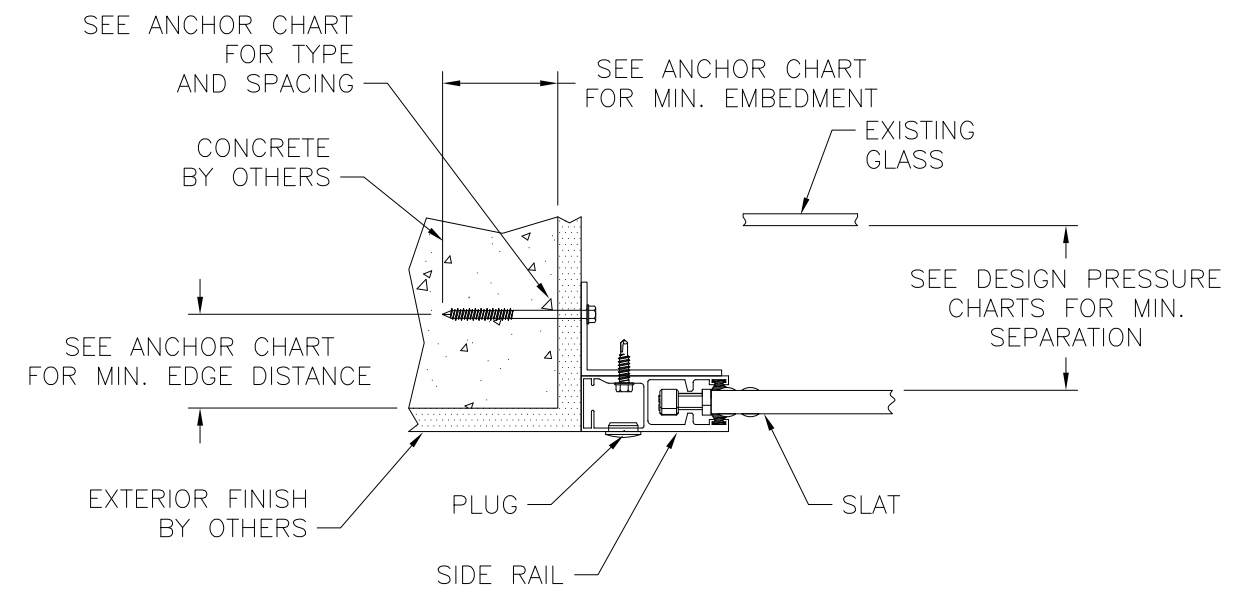
DRAWN: R.L.	DWG NO. 08-01379	REV -
SCALE NTS	DATE 11/01	SHEET 7 OF 11



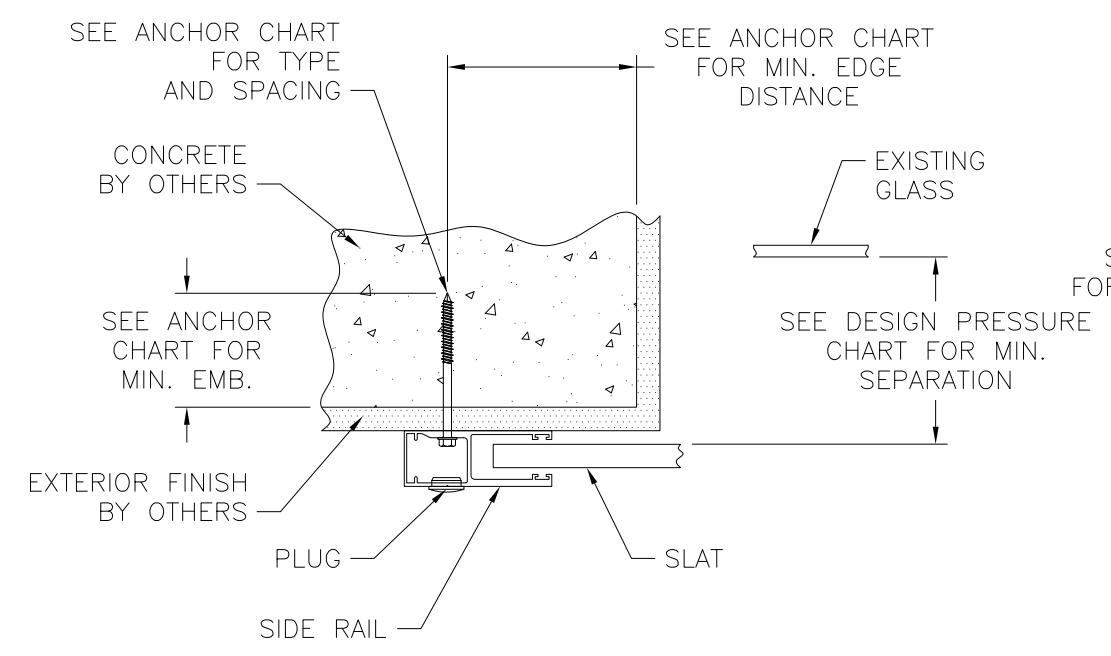
REVISIONS			
REV	DESCRIPTION	DATE	APPROVED



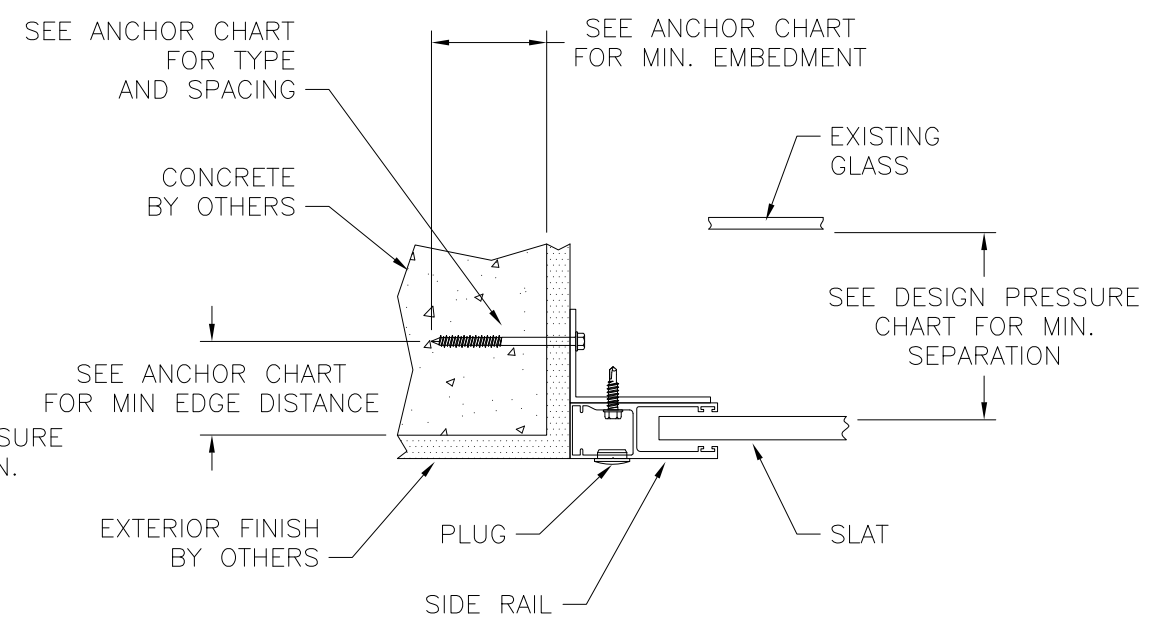
A
8 **WALL MOUNT ANCHOR DETAIL**
SEE CHART SHEET 5
UNITS W/ END RETENTION



A
8 **INSIDE MOUNT ANCHOR DETAIL**
SEE CHART SHEET 5
UNITS W/ END RETENTION

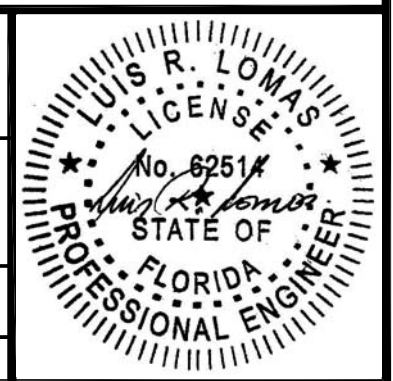


A
8 **WALL MOUNT ANCHOR DETAIL**
SEE CHART SHEET 5
UNITS W/OUT END RETENTION

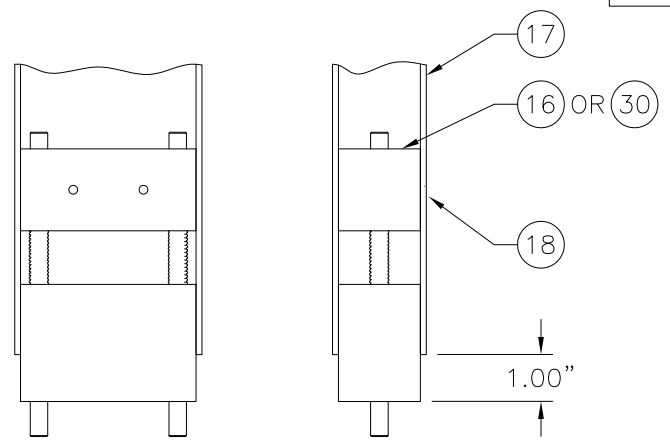
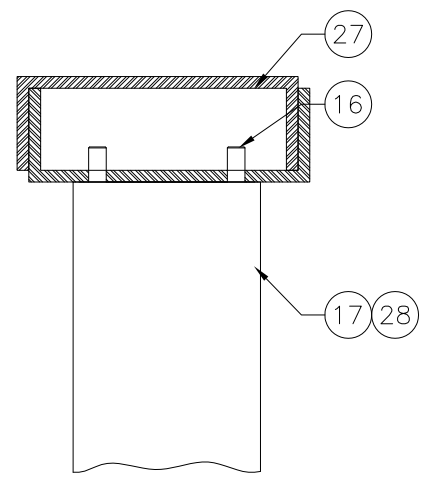
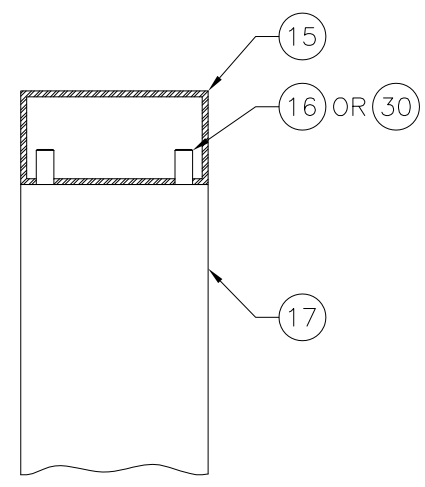


A
8 **INSIDE MOUNT ANCHOR DETAIL**
SEE CHART SHEET 5
UNITS W/ OUT END RETENTION

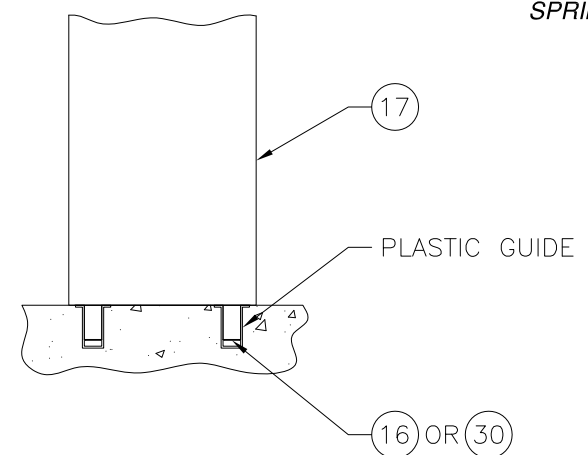
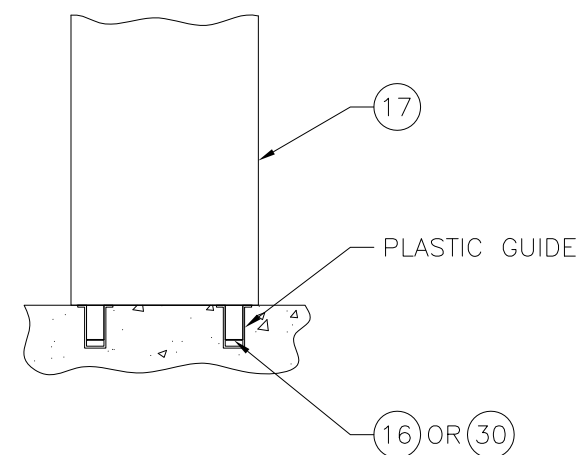
USA SHUTTER COMPANY, LLC 1455 RAIL HEAD BLVD UNIT 6 NAPLES, FL 34110		
ALUMINUM ROLL-UP SHUTTER INSTALLATION DETAILS		
DRAWN: R.L.	DWG NO. 08-01379	REV -
SCALE NTS	DATE 11/01	SHEET 8 OF 11



REVISIONS			
REV	DESCRIPTION	DATE	APPROVED

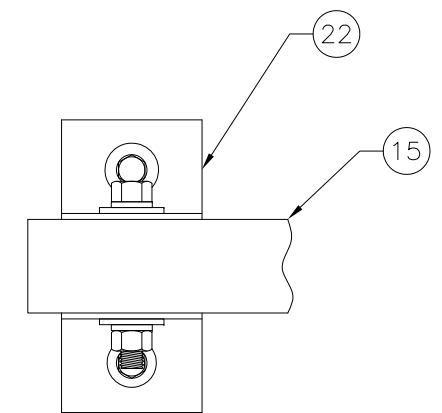
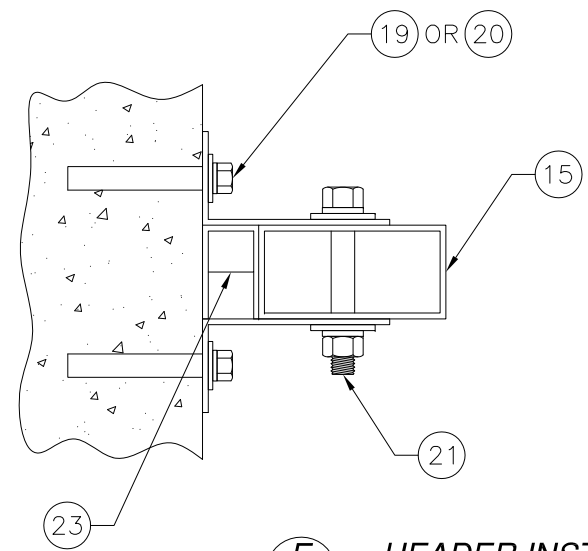


DETAIL F
SPRING BLOCK ASSY INSTALLATION TO STORM BAR

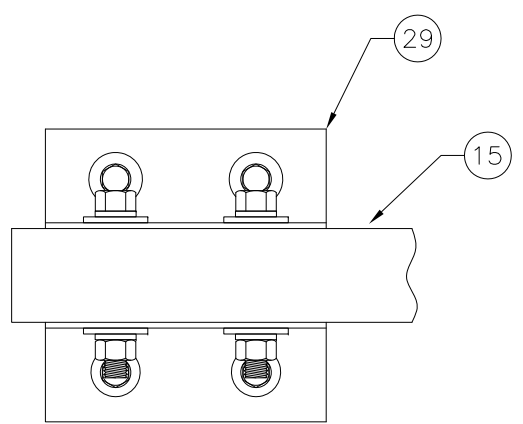
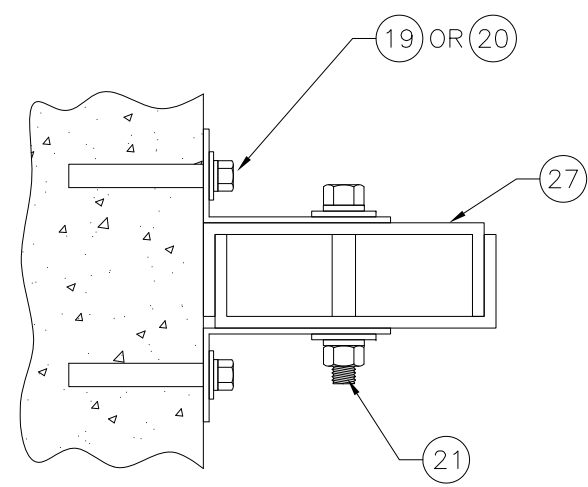


D
9 STORM BAR INSTALLATION DETAIL
FOR INSTALLING SPRING BLOCK TO STORM BAR
SEE DETAIL F

D
9 STORM BAR INSTALLATION DETAIL
FOR INSTALLING SPRING BLOCK TO STORM BAR
SEE DETAIL F

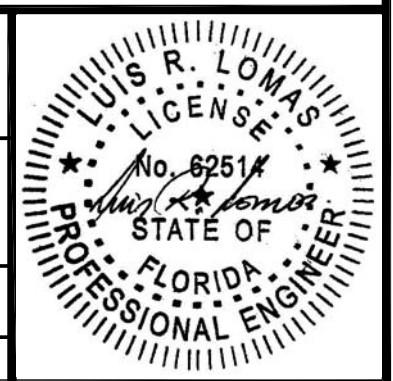


E
9 HEADER INSTALLATION DETAIL
FOR UNITS UP TO 88 3/8" FRAME WIDTH



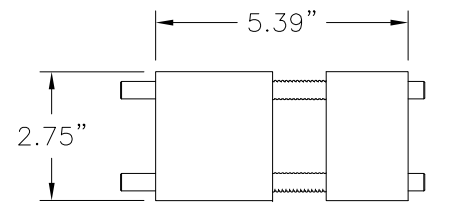
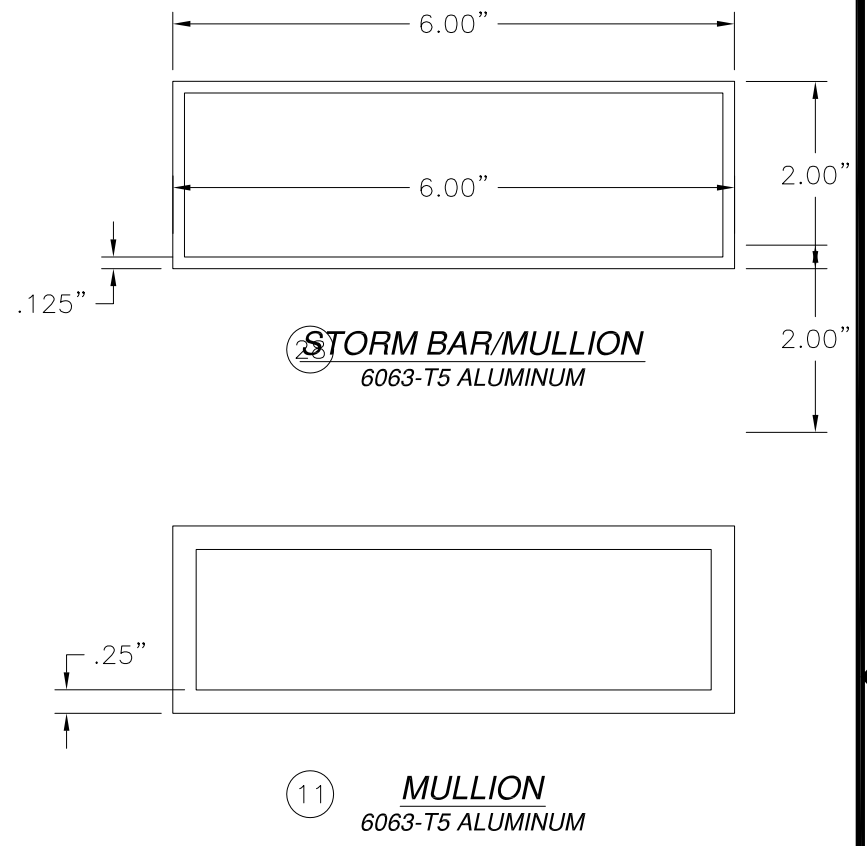
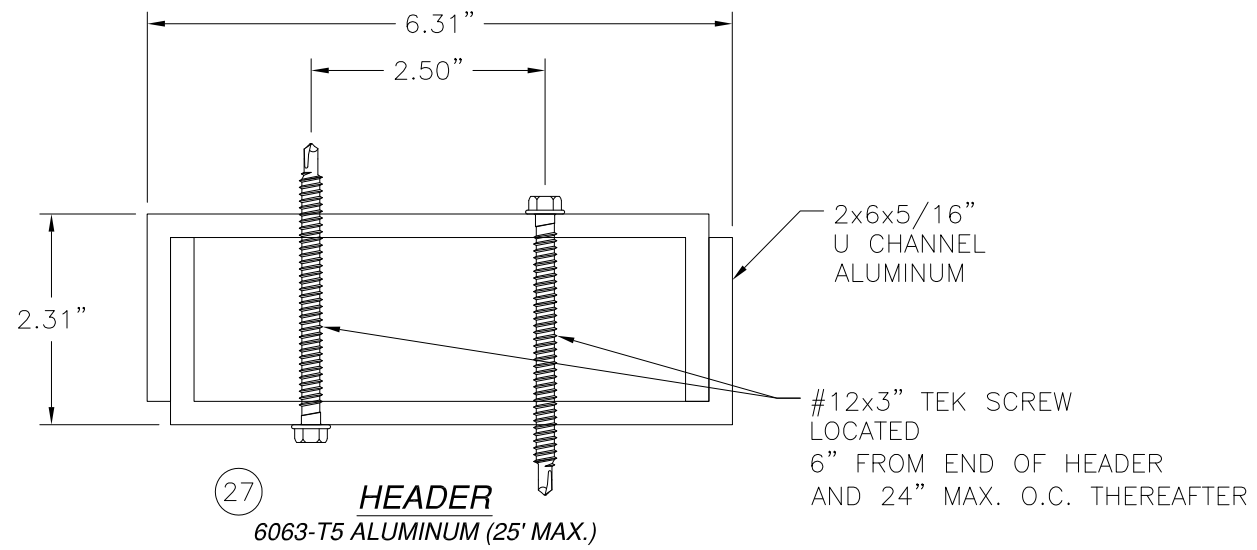
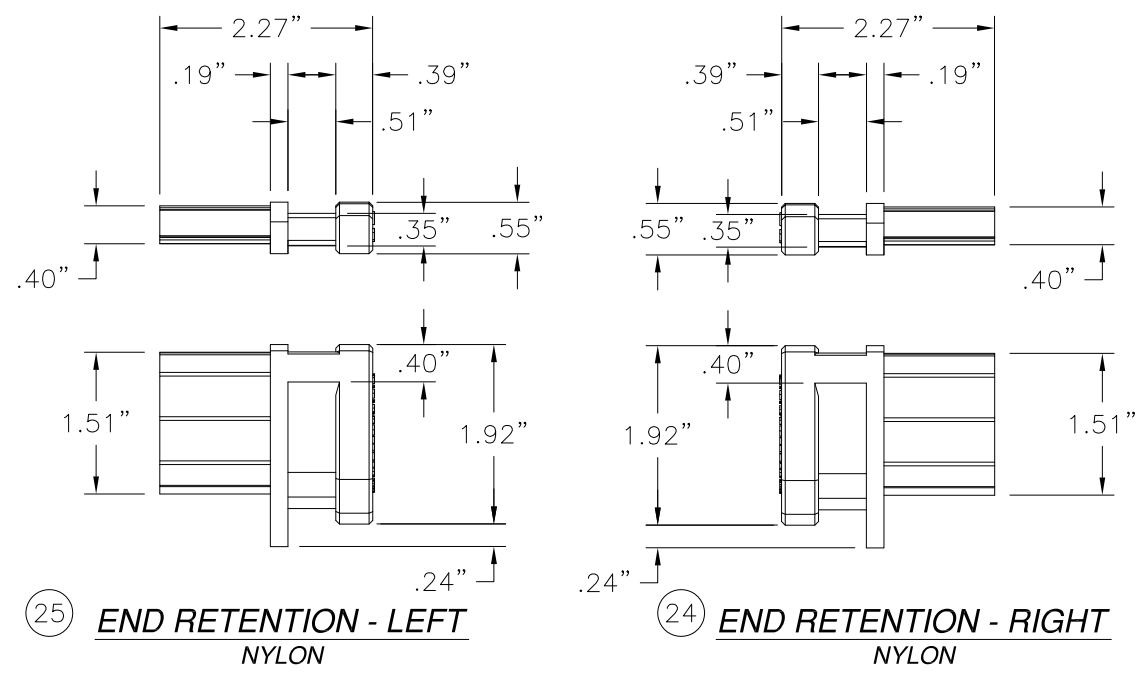
E
9 HEADER INSTALLATION DETAIL
FOR UNITS UP TO 262 3/4" FRAME WIDTH

USA SHUTTER COMPANY, LLC 1455 RAIL HEAD BLVD UNIT 6 NAPLES, FL 34110		
ALUMINUM ROLL-UP SHUTTER INSTALLATION DETAILS		
DRAWN: R.L.	DWG NO. 08-01379	REV -
SCALE NTS	DATE 11/01	SHEET 9 OF 11

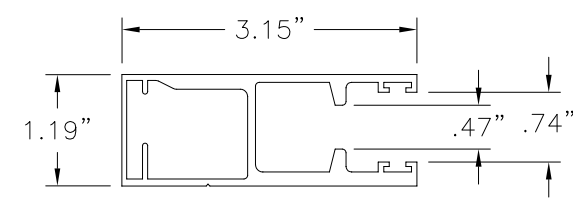


PARTS LIST	
NO.	DESCRIPTION
1	HOOD ALUMINUM 3003-H24
2	HOOD FRONT, ALUMINUM 3003-H24
3	BRACKET RIGHT, ALUMINUM 6063-T5
4	MOTOR TUBE, ALUMINUM 6063-T5
5	MOTOR
6	BRACKET LEFT, ALUMINUM 6063-T5
7	MOTOR MOUNT NUTS
8	SIDE RAIL, ALUMINUM 6063-T5
9	SLAT, ALUMINUM 6063-T5
10	WALL MOUNT ANGLE 2X3X1/8" ALUMINUM 6063-T5
11	MULLION ALUMINUM 6063-T5
12	#14 x 3/4" SMS
13	IDLE BEARING HOUSING, ALUMINUM 6063-T5
14	BOTTOM SLAT, ALUMINUM 6063-T5
15	HEADER 2x4x1/8" ALUMINUM 6063-T5
16	2x4 SPRING BLOCK ASSEMBLY
17	STORM BAR 2x4x1/8" ALUMINUM 6063-T5
18	#10 TEK SELF TAPPING SCREW
19	POWER BOLT 1/2"x3"
20	LAG SCREW 1/2"x3"
21	BOLT HH 1/2-13x3" WITH WASHERS AND NUTS
22	MOUNTING ANGLE 2x4x1/8" 3" LONG
23	SPACER
24	END RETENTION - RIGHT
25	END RETENTION - LEFT
26	SIDE RAIL FOR END RETENTION ALUMINUM 6063-T5 (OPTIONAL)
27	HEADER U-CHANNEL ALUMINUM 6063-T5
28	STORM BAR/MULLION 2x6x1/8 ALUMINUM 6063-T5
29	MOUNTING ANGLE
30	2x3 SPRING BLOCK ASSEMBLY
31	SIDE RAIL FOR END RETENTION, ALUMINUM 6063-T5

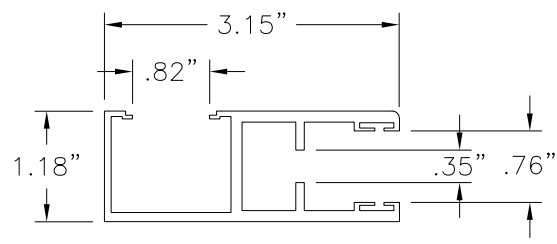
REVISIONS			
REV	DESCRIPTION	DATE	APPROVED



30 2X3 SPRING BLOCK



31 SIDE RAIL FOR END RETENTION
6063-T5 ALUMINUM

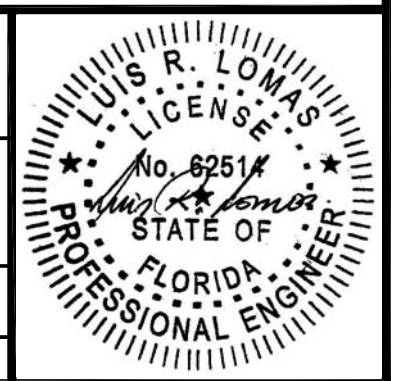


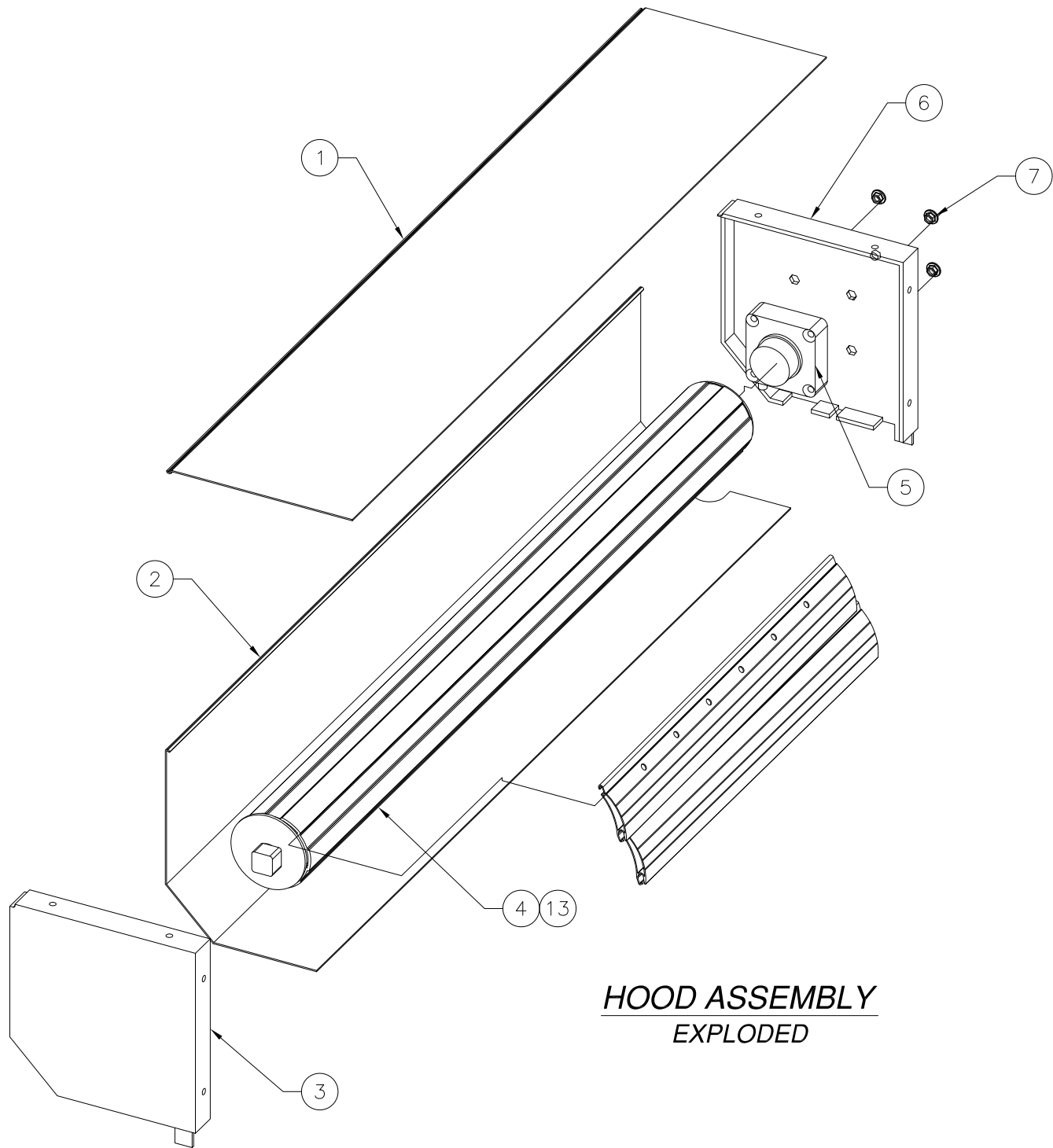
26 SIDE RAIL FOR END RETENTION(OPTIONAL)
6063-T5 ALUMINUM

USA SHUTTER COMPANY, LLC
1455 RAIL HEAD BLVD UNIT 6
NAPLES, FL 34110

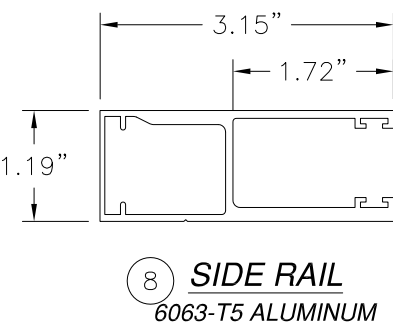
ALUMINUM ROLL-UP
SHUTTER
COMPONENTS AND B.O.M.

DRAWN: R.L.	DWG NO. 08-01379	REV -
SCALE NTS	DATE 11/01	SHEET 10 OF 11

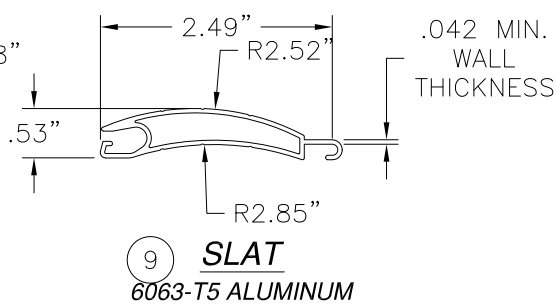




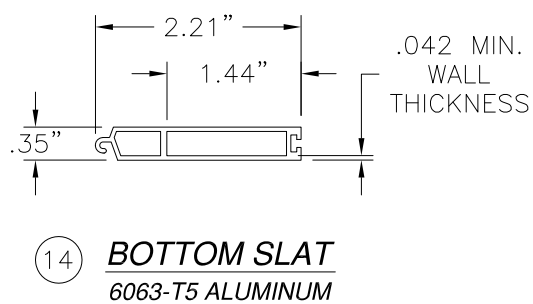
**HOOD ASSEMBLY
EXPLODED**



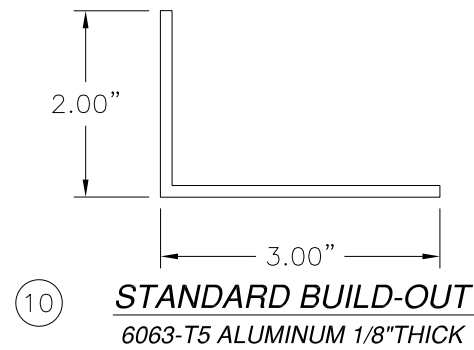
**8 SIDE RAIL
6063-T5 ALUMINUM**



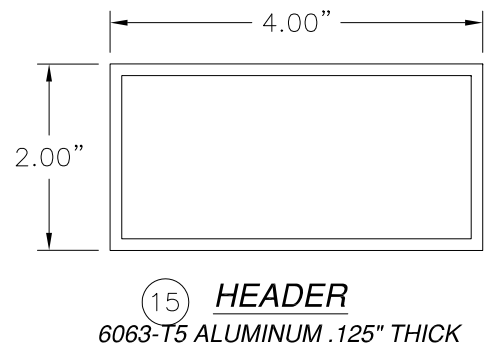
**9 SLAT
6063-T5 ALUMINUM**



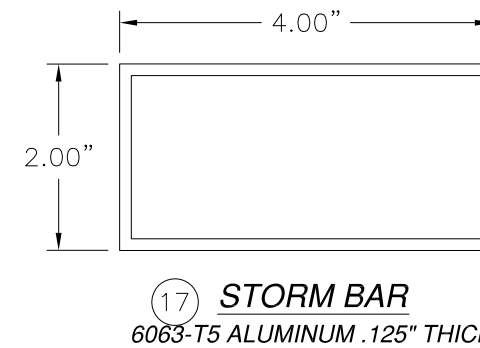
**14 BOTTOM SLAT
6063-T5 ALUMINUM**



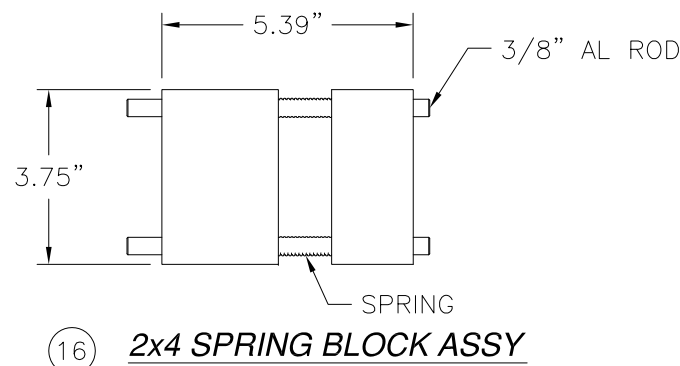
**10 STANDARD BUILD-OUT
6063-T5 ALUMINUM 1/8" THICK**



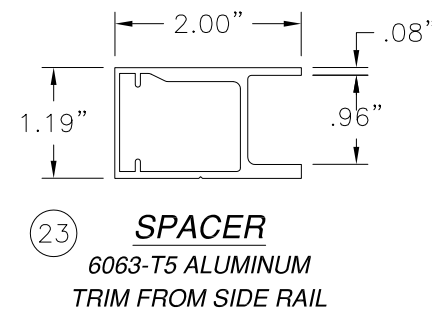
**15 HEADER
6063-T5 ALUMINUM .125" THICK**



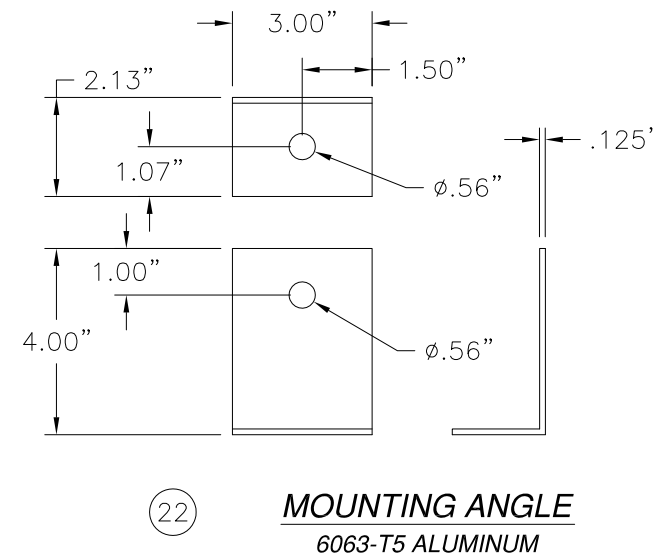
**17 STORM BAR
6063-T5 ALUMINUM .125" THICK**



16 2x4 SPRING BLOCK ASSY



**23 SPACER
6063-T5 ALUMINUM
TRIM FROM SIDE RAIL**



**22 MOUNTING ANGLE
6063-T5 ALUMINUM**

REVISIONS			
REV	DESCRIPTION	DATE	APPROVED

USA SHUTTER COMPANY, LLC
1455 RAIL HEAD BLVD UNIT 6
NAPLES, FL 34110

ALUMINUM ROLL-UP
SHUTTER
COMPONENTS

DRAWN: R.L.	DWG. NO. 08-01379	REV -
SCALE NTS	DATE 11/01	SHEET 11 OF 11

